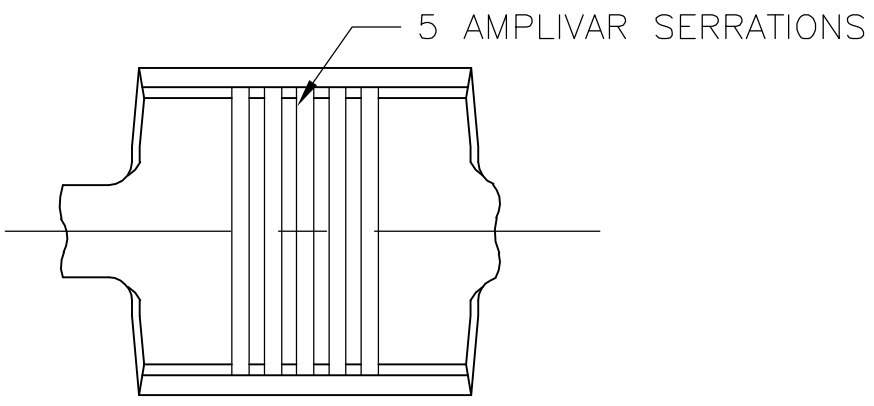
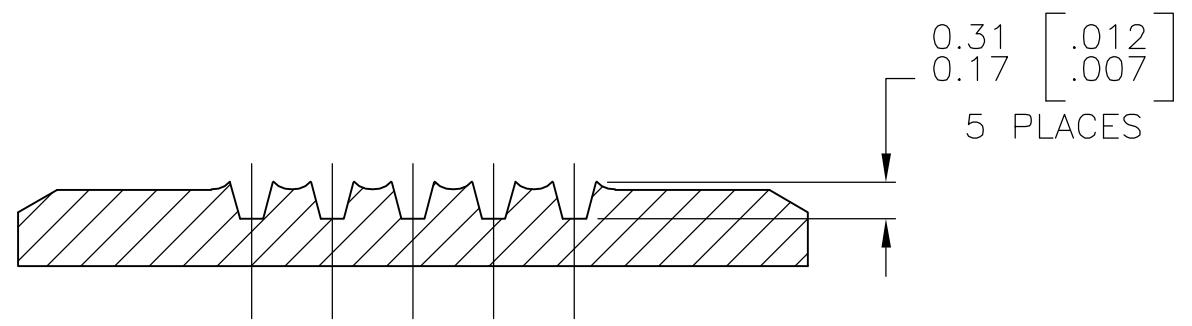
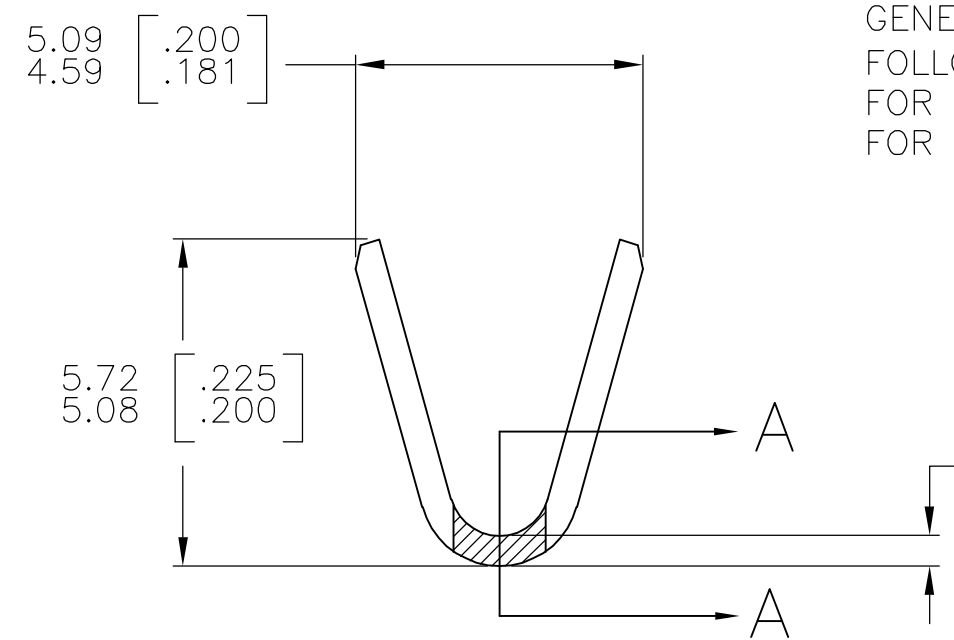
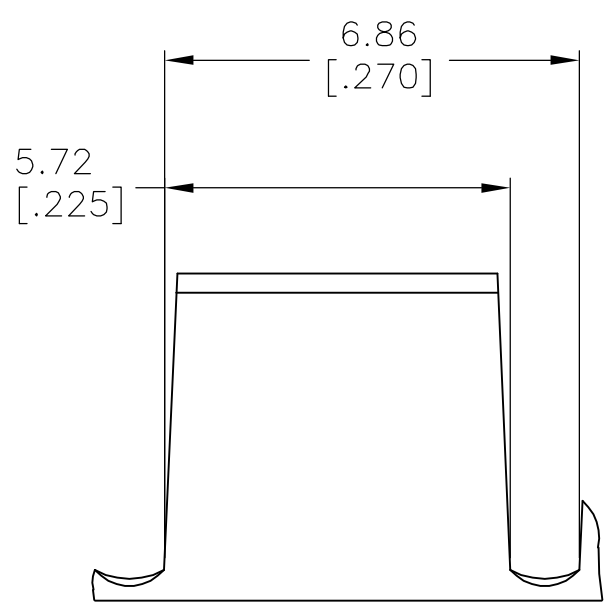


THIS DRAWING IS UNPUBLISHED. RELEASED FOR PUBLICATION
 © COPYRIGHT BY TYCO ELECTRONICS CORPORATION. ALL RIGHTS RESERVED.

| LOC | DIST | REVISIONS | | | |
|-----|------|-------------|-----------------------------------|---------|--------|
| P | LTR | DESCRIPTION | DATE | DWN | APVD |
| AF | 50 | C1 | ECR-06-023927(REDRAWN IN AUTOCAD) | 28JUN06 | HMR GP |



- CONTINUOUS STRIP ON REELS.
- DIMENSIONS IN BRACKETS ARE IN INCHES.
- FOR ADDITIONAL INFORMATION, SEE APPLICATION SPEC. 114-2009.
- WIRE RANGE: 3000-7000 CMA.
- CRIMP WIDTH: .140 F TYPE (AMPLIVAR THRU)
 CRIMP HEIGHT (±.002)=(TOTAL CMA+14,600)/243,900
 GENERAL APPLICATION GUIDELINES MUST BE FOLLOWED AS SPECIFIED IN CATALOG #82221
 FOR APPLICATOR INFORMATION CALL:1-800-722-1111
 FOR PRODUCT INFORMATION CALL:1-800-522-6752



SECTION A-A
SCALE 20:1

| | | |
|----------|--------------|---------|
| OBSOLETE | NICKEL FLASH | 41766-1 |
| | | 41766 |
| | FINISH | PART NO |

| | | | | |
|--|--|-------------------------|---|--|
| THIS DRAWING IS A CONTROLLED DOCUMENT. | | DWN RAGHAVENDRA 28JUN06 | Tyco Electronics Corporation Harrisburg, PA 17105-3608 | |
| DIMENSIONS: mm [INCHES] | TOLERANCES UNLESS OTHERWISE SPECIFIED: | CHK G.D.PORTA | NAME | |
| | 0 PLC ± - | APVD G.D.PORTA | PRODUCT SPEC | |
| | 1 PLC ± - | | APPLICATION SPEC | |
| | 2 PLC ± - | | SIZE CAGE CODE DRAWING NO RESTRICTED TO | |
| | 3 PLC ± 0.38 [.015] | | A3 00779 C-41766 | |
| | 4 PLC ± - | | SCALE 8:1 SHEET 1 OF 1 REV C1 | |
| | ANGLES ± 1' 0" | | CUSTOMER DRAWING | |
| MATERIAL BRASS | FINISH SEE TABLE | WEIGHT - | | |